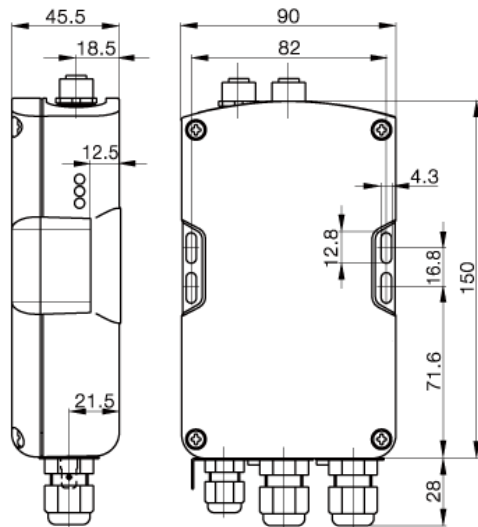


P10271



**Technical Data**

Size	150x90x45,5
Function	read/write
Supply Voltage	24 V DC ±20%
Ripple	<10%
Current draw	<400mA
Operating temperature	0...60°C
Storage temperature	0...60°C
Protection per IEC 60529	IP 65 / NEMA 12
Read/Write Head ports	2 external
Connection	terminals 1 PG 9 and 2 PG 11
Connection	2 Read/Write Heads BIS L-3_ _
Interface/Software	InterBus Remote Bus Device
Description	Processor Unit for simultaneous using of both read/write heads, for connecting 2 external read/write heads. Connection with INTERBUS Remote bus station